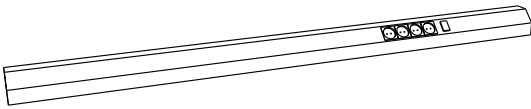
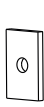





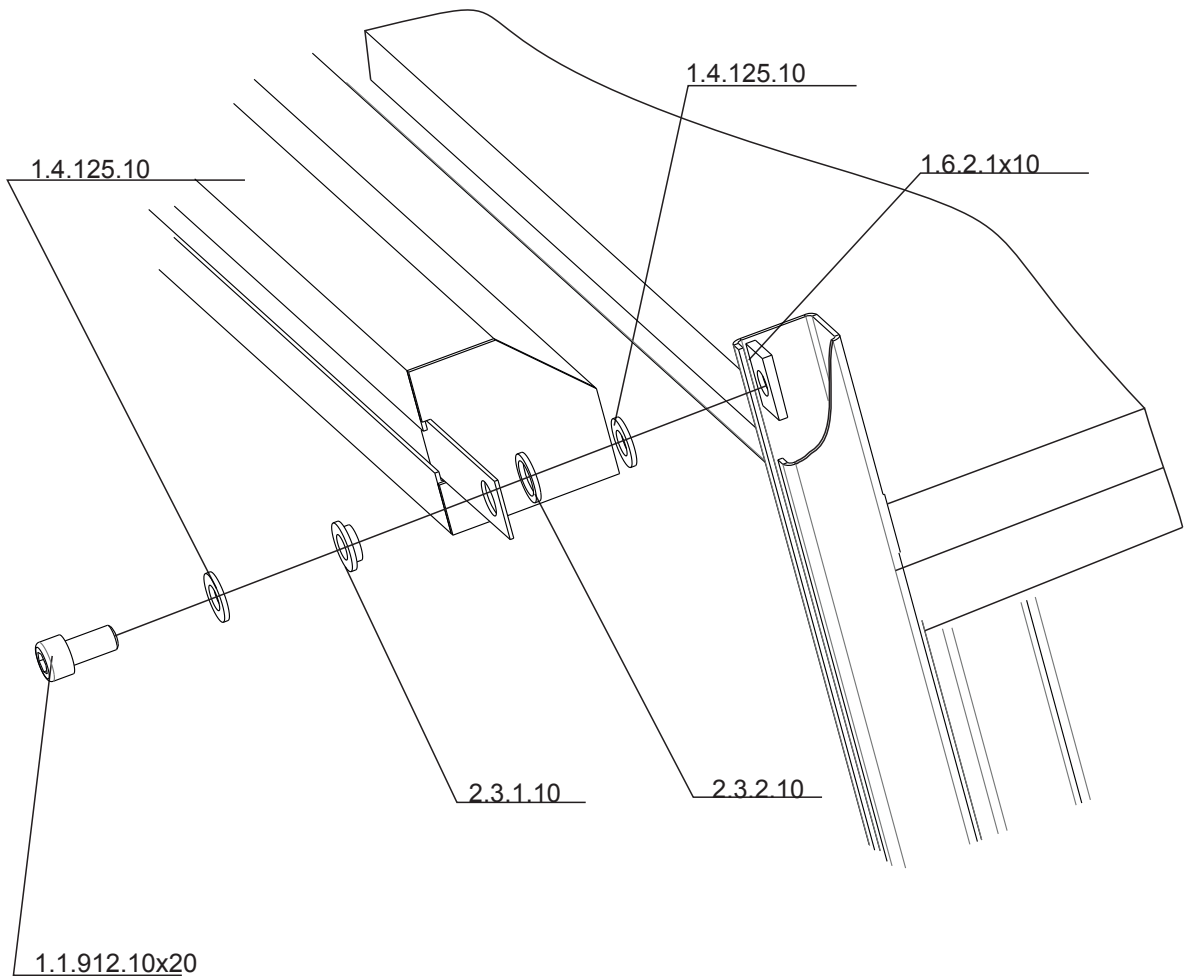


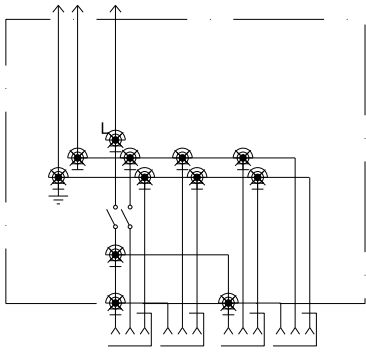
**1x**  
ΕΠΑ\_XX.01.00



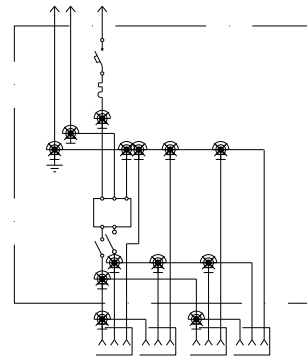
<b>2x</b> 1.6.2.1x10		<b>2x</b> 1.1.912.10x20		<b>2x</b> 2.3.1.10		<b>2x</b> 2.3.2.10		<b>4x</b> 1.4.125.10		<b>2x</b> 2.8.1.1	
-------------------------	---	----------------------------	--	-----------------------	---	-----------------------	---	-------------------------	---	----------------------	---



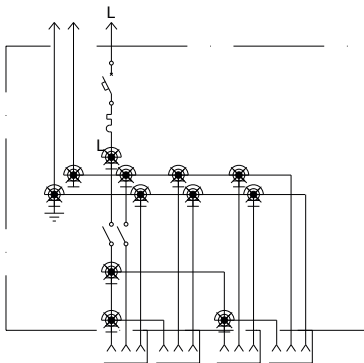
1.



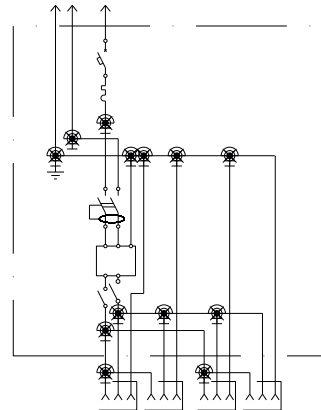
7.



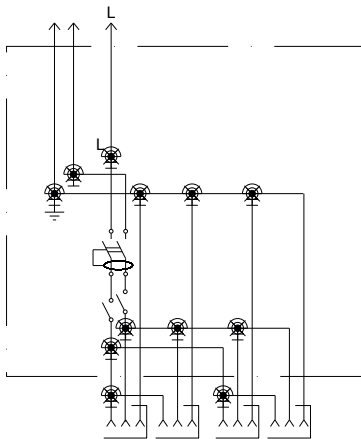
2.



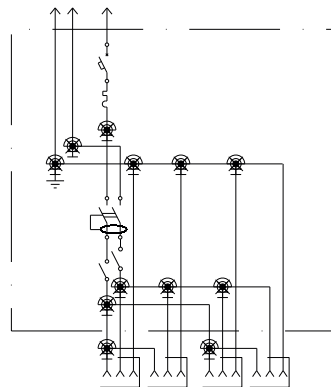
8.



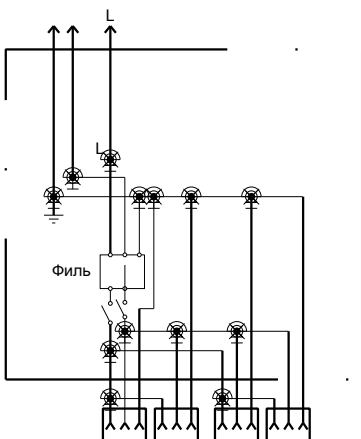
3.



5.



4.



6.

